



**CMO VALVES**  
manufacturing the valve you need

# 52A SERIES



## FABRICATION RANGE *FLOAT VALVES*

### UTILIZATION:

- Float valves used to control the level of deposits.
- The pilot can be separated from the valve for an easier installation.

# 52 - SERIES

## FLOAT VALVE

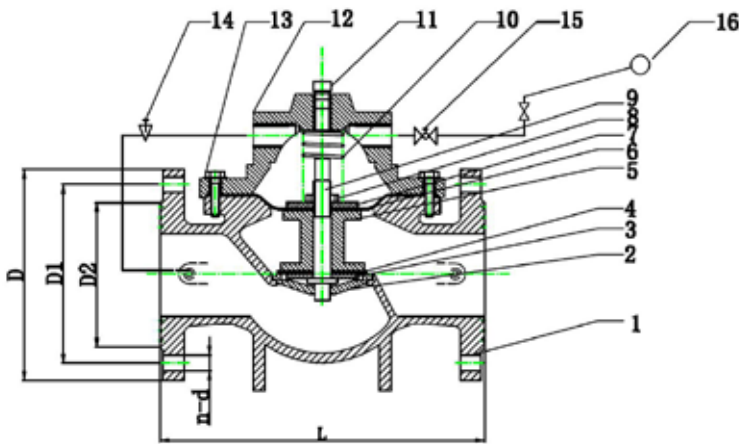


### GENERAL FEATURES:

- 100% water tight.
- Max. working pressure according to design pressure PN10/16.
- Working temperature between -10°C and 90°C.
- The pilot can be placed in the distance.

### STANDARDS APPLIED:

- Hydrostatic tests according to EN 12266-1, class A.
- EC directive.
- Side flanges according to ISO 7005-1.



### DIMENSIONS

DN	L	D	D1		D2	n-d	
			PN10	PN16		PN10	PN16
50	215	165	125		99	4-19	
65	235	185	145		119	4-19	
80	250	200	160		133	8-19	
100	290	220	180		154	8-19	
125	325	250	210		184	8-19	
150	360	285	240		210	8-23	
200	430	335	295		266	8-23	12-23
250	510	400	350	355	319	12-23	12-28
300	600	455	400	410	370	12-23	12-28
350	675	515	460	470	429	16-23	16-28
400	730	575	515	525	480	16-28	16-31

### DESCRIPTION:

		MATERIAL
1	BODY	GJS500-7
2	SEAT	BRASS
3	RING	CARBON STEEL
4	SEAL	EPDM
5	DISC	GJS500-7
6	DIAPHRAGM	EPDM
7	RING	CARBON STEEL
8	NUTS	STAINLESS STEEL
9	SHAFT	STAINLESS STEEL
10	SPRING	STAINLESS STEEL
11	PLUG	BRASS
12	BONNET	GJS500-7
13	BOLTS	STAINLESS STEEL
14	NEEDLE	BRASS
15	PILOT	BRASS
16	FLOAT	STAINLESS STEEL
	PAINTING RAL 5015	Epoxy 250 µm

The images and drawings are non contractual.  
The specifications of the shown products could vary without previous