



**CMO VALVES**  
manufacturing the valve you need

# 25A SERIES



## FABRICATION RANGE *GROOVED BUTTERFLY VALVE*

### UTILIZATION:

- Grooved butterfly valve used for supplying, pumping, irrigation, drinking water supply, treatment and pumping of dirty waters, etc.
- It has low head loss, and it is 100% watertight.

# 25 - SERIES

## GROOVED BUTTERFLY VALVES

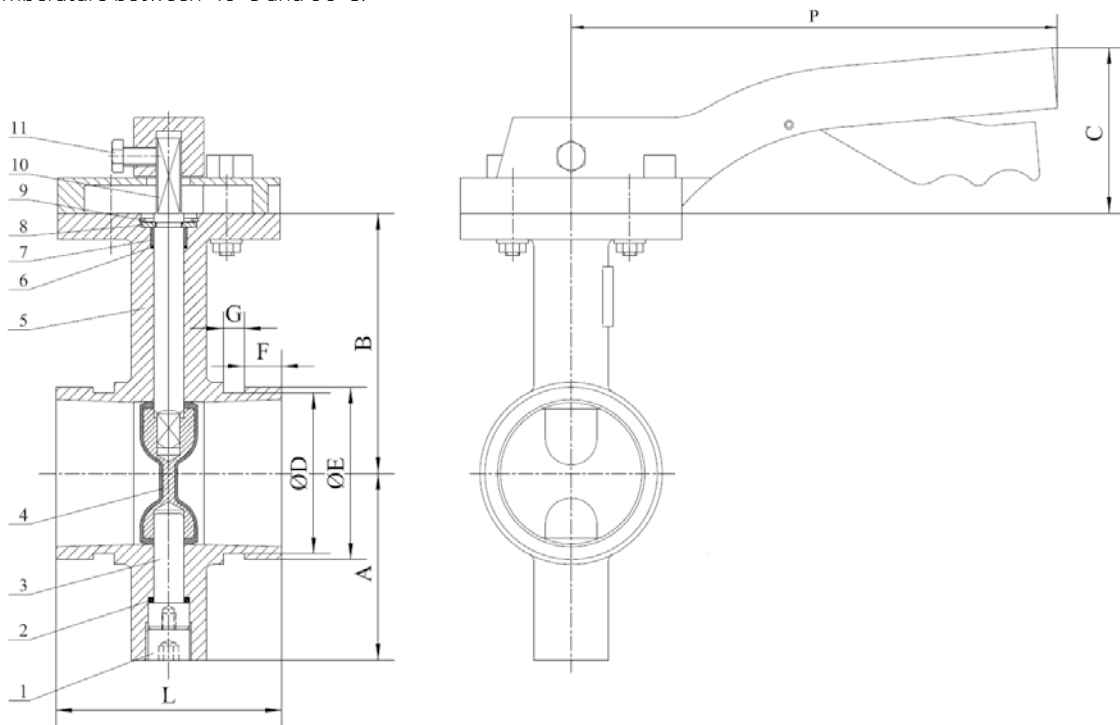


### GENERAL FEATURES:

- Low head loss.
- 100% watertight.
- Bidirectional flow.
- Max. working pressure 16 bar.
- Working temperature between -10°C and 90°C.

### STANDARDS APPLIED:

- Hydrostatic tests according to EN 12266-1, class A.
- EC Directive.
- Top flange (optional) according to ISO 5211.



### DIMENSIONS

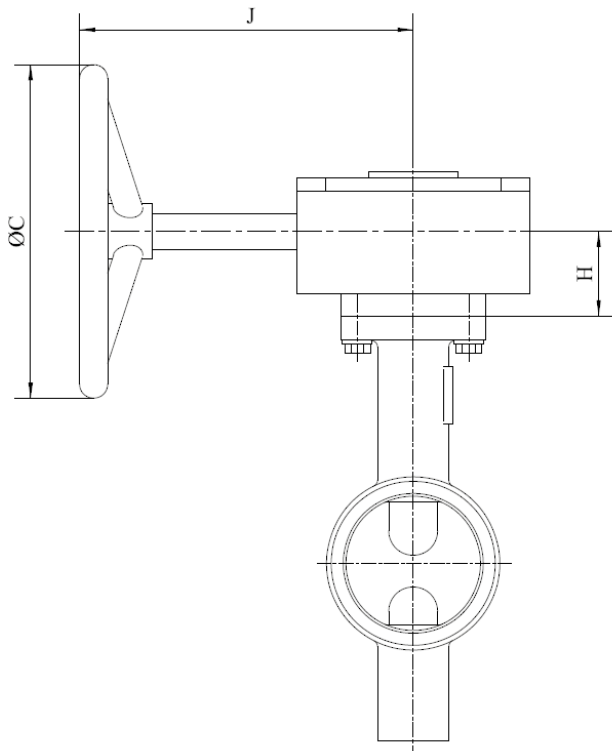
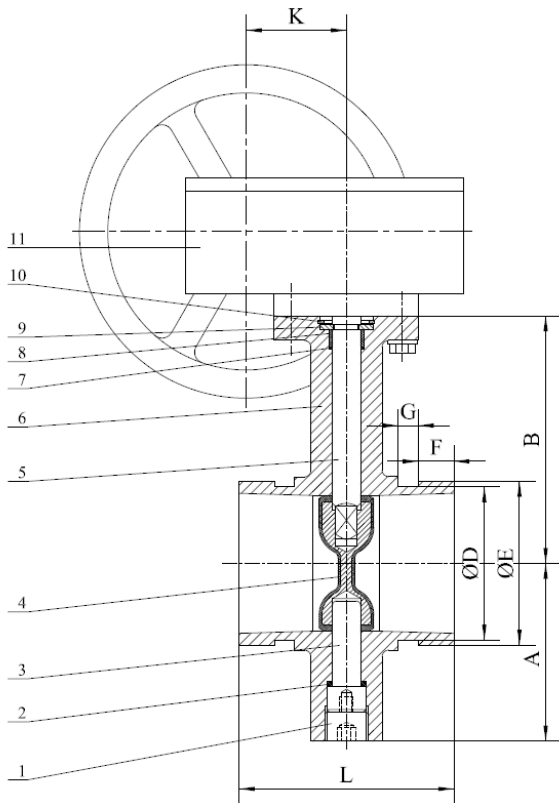
DN	A	B	C	D	E	F	G	L	P
50	65	102	54	57	60.5	16	8	81	205
65	72	112	54	69	73	16	8	97	205
80	80	118	54	85	89	16	8	97	205
100	100	137	54	110	114.5	16	9.5	116	205
125	118	149	65	137	141.5	16	9.5	148	275
150	140	170	65	164	168.5	16	9.5	148	275
200	175	204	65	214.5	219	19	11.5	134	275

### DESCRIPTION

1	STOPPER	CARBON STEEL
2	O-RING	EPDM
3	LOWER STEM	AISI 420
4	DISC	GJS400 + EPDM
5	BODY	GJS400
6	O-RING	EPDM
7	BUSHING	PTFE
8	THRUST WASHER	CARBON STEEL
9	CIRCLIP	CARBON STEEL
10	UPPER STEM	AISI 420
11	LEVER	ALUMINUM
	PAINTING RAL 5015	Epoxy 250 µm

# 25 - SERIES

## GROOVED BUTTERFLY VALVES



### DIMENSIONS

DN	A	B	D	E	F	G	L	H	K	C	J
250	215	250	268.5	273	19	13	159	41	63	300	235
300	258	275	318.5	324	19	13	165	42	81	300	217

### DESCRIPTION

1	STOPPER	CARBON STEEL
2	O-RING	EPDM
3	LOWER STEM	AISI 420
4	DISC	GJS400 + EPDM
5	UPPER STEM	AISI 420
6	BODY	GJS400
7	O-RING	EPDM
8	BUSHING	PTFE
9	THRUST WASHER	CARBON STEEL
10	CIRCLIP	CARBON STEEL
11	GEAR BOX	DUCTILE IRON
	PAINTING RAL 5015	Epoxy 250 µm

The images and drawings are non contractual.  
The specifications of the shown products could vary without previous notice.