



CMO VALVES
manufacturing the valve you need

21A SERIES



FABRICATION RANGE *WAFER BUTTERFLY VALVE*

UTILIZATION:

- Wafer butterfly valve used for fire protection installations.
- It has low head loss it is 100% watertight and it is UL-FM certified.

SERIE - 21

VÁLVULAS DE MARIPOSA WAFER

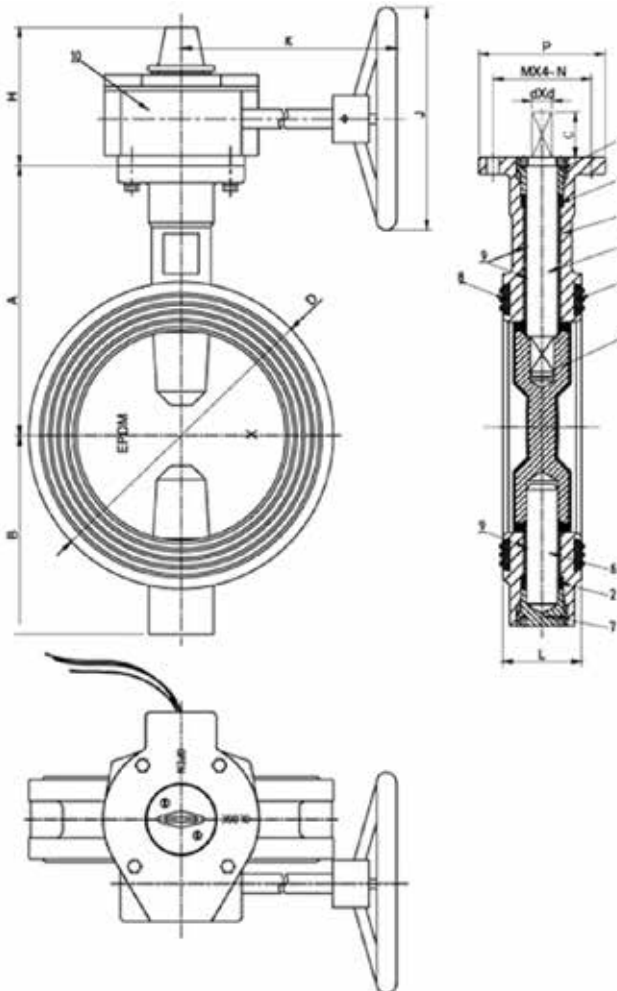


GENERAL FEATURES:

- Low head loss.
- 100% watertight.
- Bidirectional flow.
- No gaskets needed for installation.
- Stainless steel bolts.
- Max. working pressure 16 bar.
- Working temperature between -10°C and 90°C.
- Limit switches included.

STANDARDS APPLIED:

- Hydrostatic tests according to EN 12266-1, class A.
- EC Directive.
- Distance between flanges according to EN 558 series 20.
- Top flange according to ISO 5211.
- UL-FM Certified



DIMENSIONS

DN	A	B	C	D	H	K	J	P	M	N	d	L	
50	110	85	32	100	111	153	218	152	90	70	9	10	42
65	125	95	32	112	111	153	218	152	90	70	9	10	44.2
80	140	100	32	120	111	153	218	152	90	70	9	11	45.3
100	160	100	32	161	111	153	218	152	90	70	9	14	5
125	170	125	32	182	111	153	218	152	90	70	9	14	54.4
150	190	140	32	216	111	153	218	200	90	70	9	16	55.8
200	230	175	32	260	126	210	232	300	125	102	12	19	60.5
250	260	200	45	320	126	210	232	300	125	102	12	24	66.5
300	300	240	45	375	161	249	350	150	102	14	26	76.9	

DESCRIPTION

1	TOP SHAFT RETAINER	WCB
2	O-RING	EPDM
3	BODY	GJS400
4	TOP SHAFT	AISI 416
5	DISC	GJS400 + EPDM
6	LOWER SHAFT	AISI 416
7	LOWER SHAFT RETAINER	WCB
8	SIDE GASKETS	EPDM
9	BUSHES	PTFE
10	GEARBOX WITH LIMIT SWITCHES	GJS400
	PAINTING	Epoxy 250 µm

The images and drawings are non contractual.
The specifications of the shown products could vary without previous notice.